

**4730 SELF-PROPELLED
SPRAYER**



JOHN DEERE

PARTS CATALOG

**4730 SELF-PROPELLED
SPRAYER**

PC9820 (AUG-08) English

John Deere Des Moines Works

North American Edition

Litho in U.S.A. (Revised)

COPYRIGHT © 2008

DEERE & COMPANY

Moline, Illinois

All rights reserved

10-A01

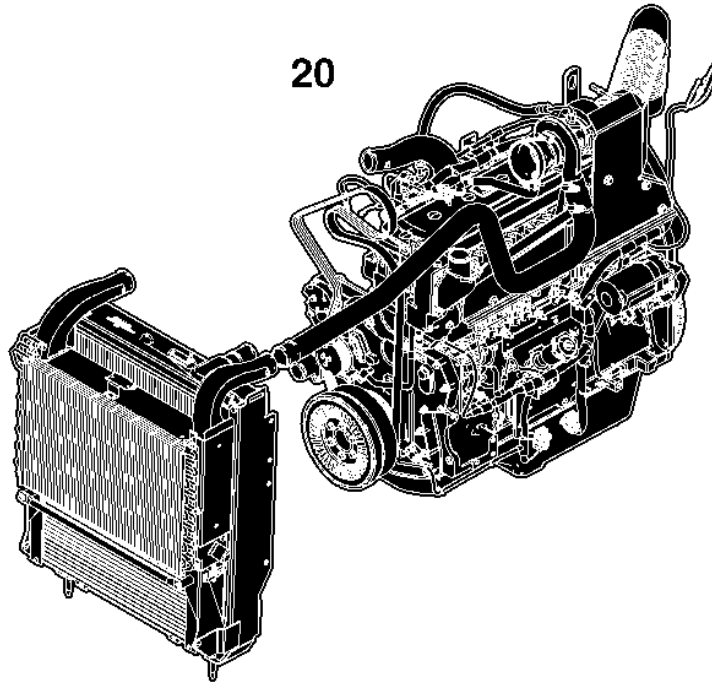
4730 SELF-PROPELLED SPRAYER

PRIMARY INDEX
INDEX PRINCIPAL DES ILLUSTRATIONS
INDICE PICTORICO PRINCIPAL

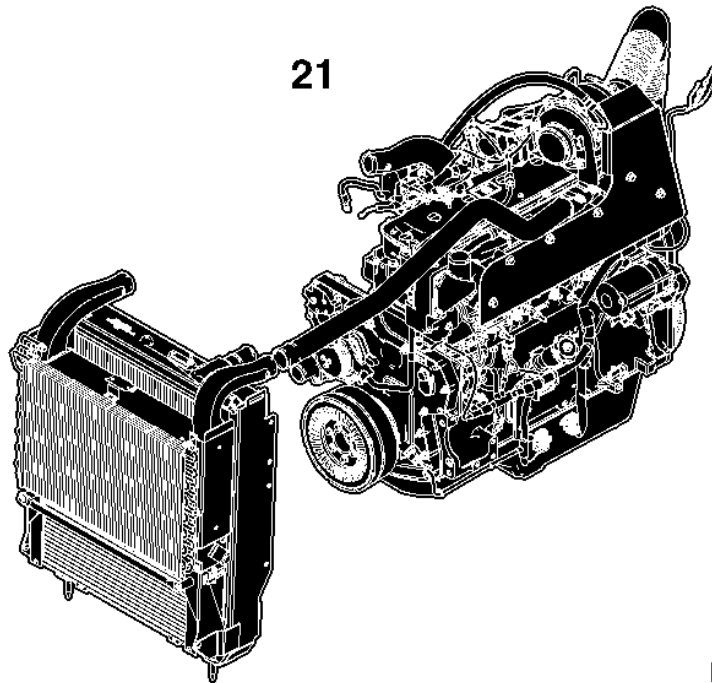
NP17980 -UN-

020-	A01
020-	A02
021-	A01

20



21



NP17980

10-A02

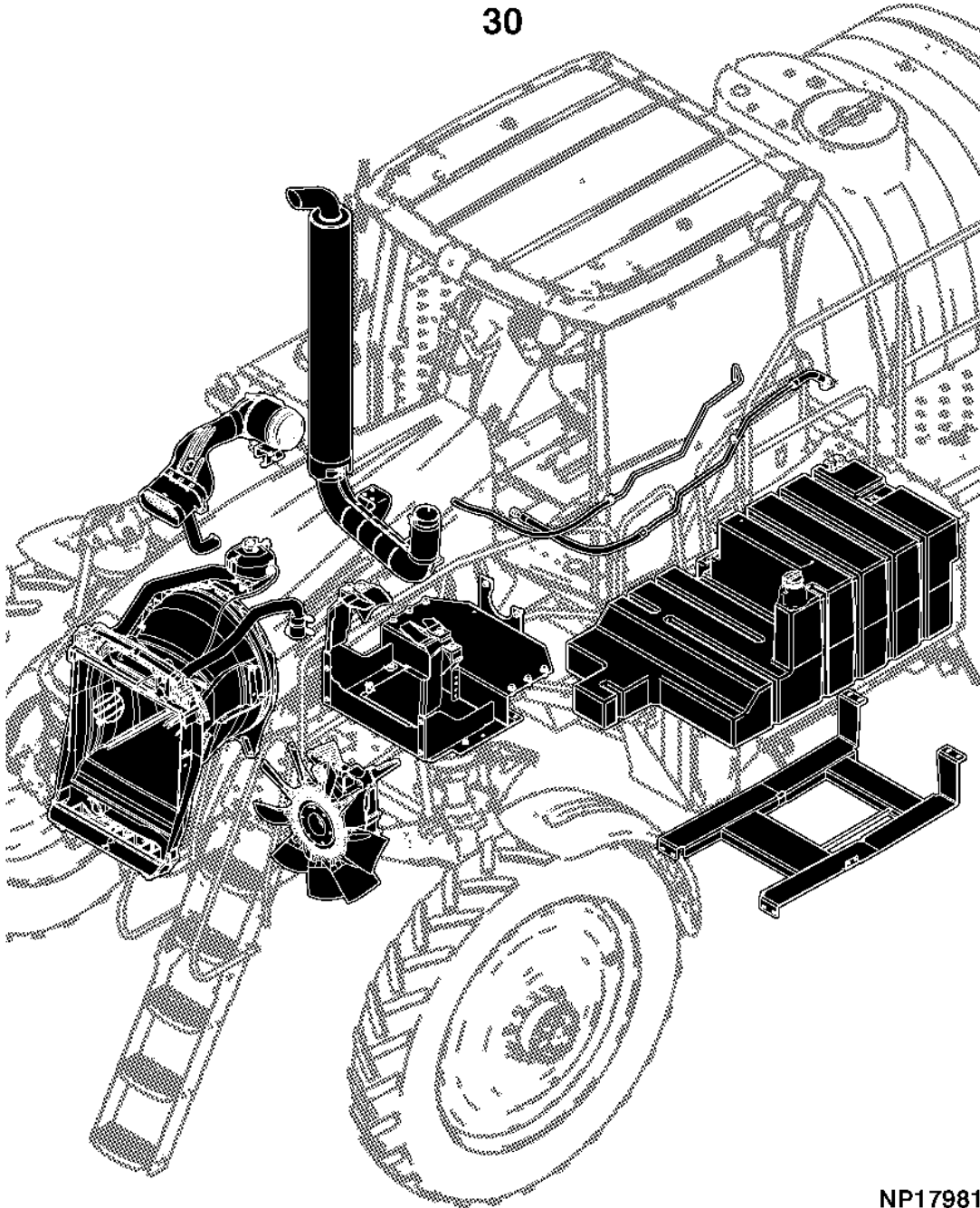
4730 SELF-PROPELLED SPRAYER

PRIMARY INDEX
INDEX PRINCIPAL DES ILLUSTRATIONS
INDICE PICTORICO PRINCIPAL

NP17981 -UN-

030- A01

30



NP17981

**Thanks very much for your reading,
Want to get more information,
Please click here, Then get the complete
manual**

JustClickHere 

NOTE:

**If there is no response to click on the link above,
please download the PDF document first, and then
click on it.**

**Have any questions please write to me:
admin@servicemanualperfect.com**

10-A03

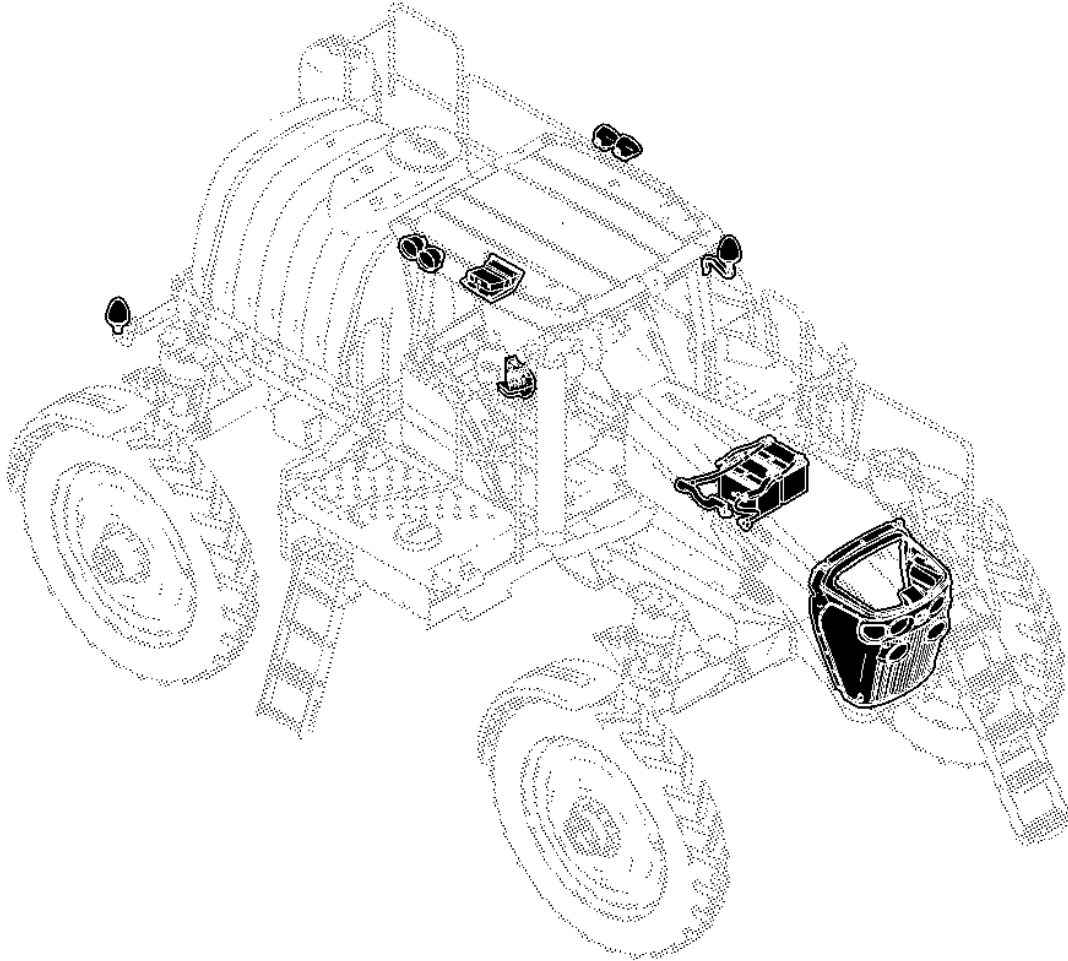
4730 SELF-PROPELLED SPRAYER

PRIMARY INDEX
INDEX PRINCIPAL DES ILLUSTRATIONS
INDICE PICTORICO PRINCIPAL

NP17984 -UN-

040- A01
040- A02
040- A03
040- A04
040- A05
040- A06

40



NP17984

10-A04

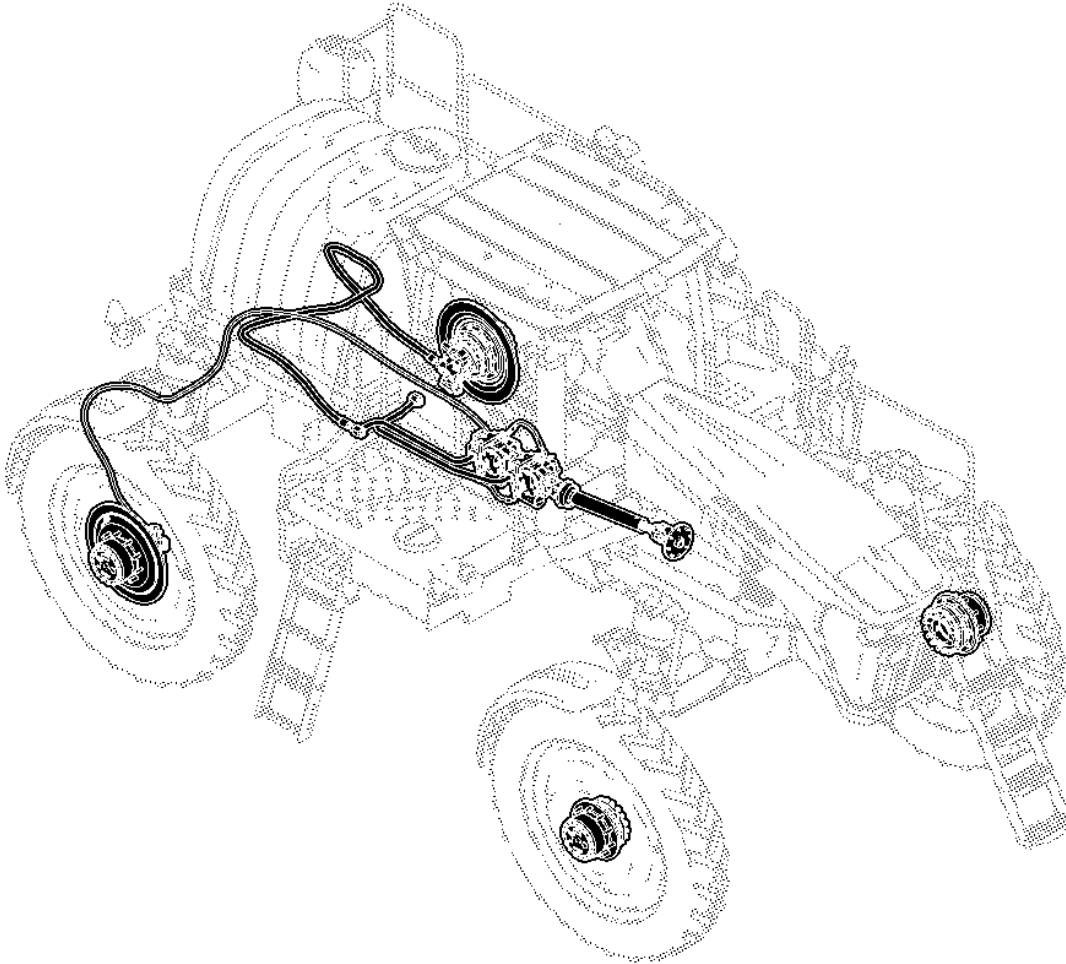
4730 SELF-PROPELLED SPRAYER

PRIMARY INDEX
INDEX PRINCIPAL DES ILLUSTRATIONS
INDICE PICTORICO PRINCIPAL

NP17985 -UN-

050- A01
050- A02

50



NP17985

10-A05

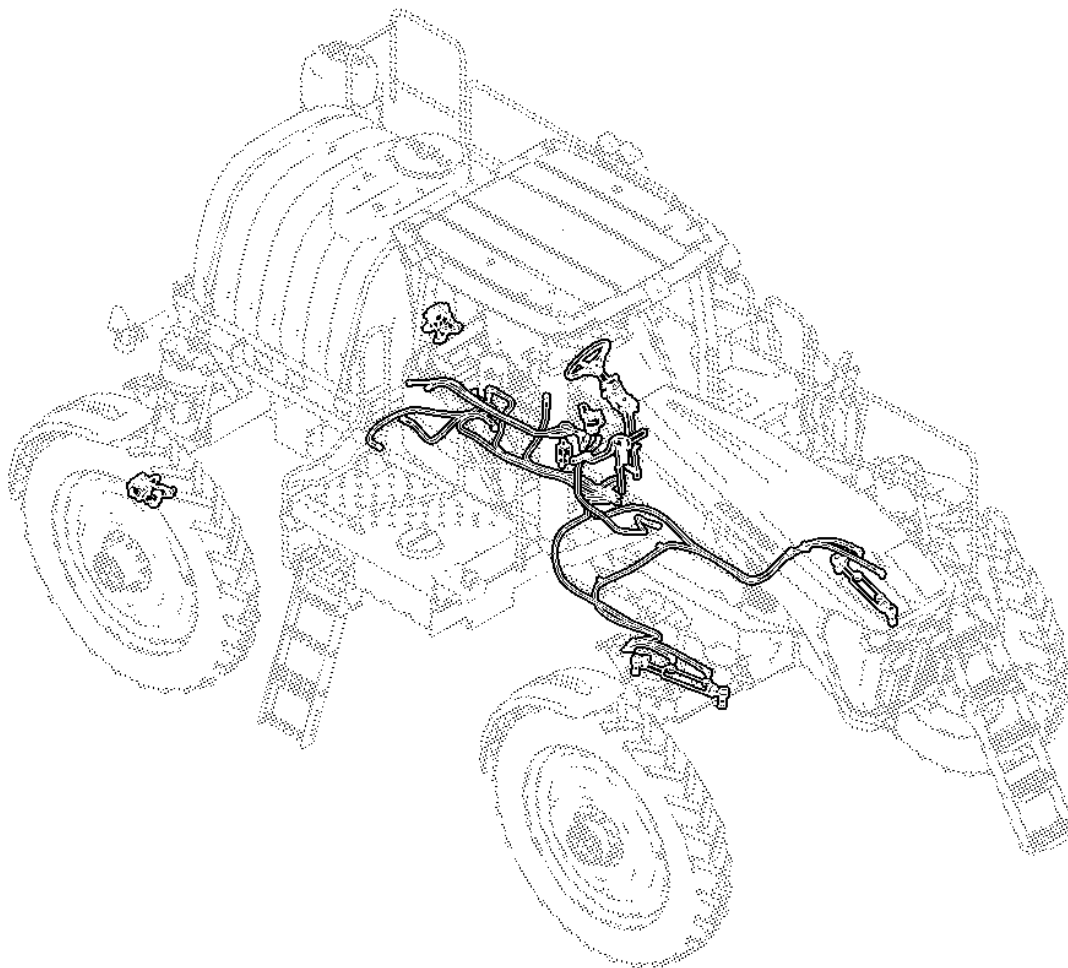
4730 SELF-PROPELLED SPRAYER

PRIMARY INDEX
INDEX PRINCIPAL DES ILLUSTRATIONS
INDICE PICTORICO PRINCIPAL

060- A01

NP17986 -UN-

60



NP17986

10-A06

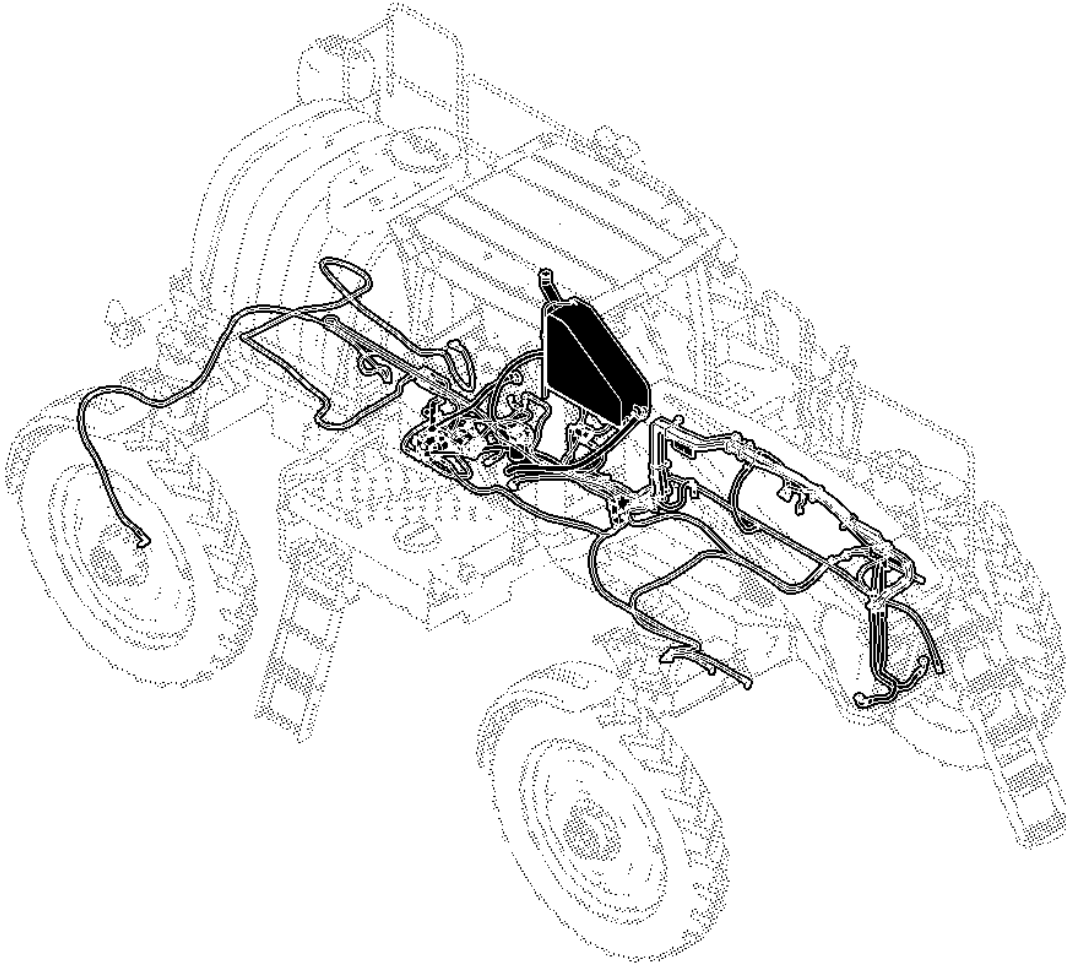
4730 SELF-PROPELLED SPRAYER

PRIMARY INDEX
INDEX PRINCIPAL DES ILLUSTRATIONS
INDICE PICTORICO PRINCIPAL

NP17988 -UN-

070- A01
070- A02

70



NP17988

10-A07

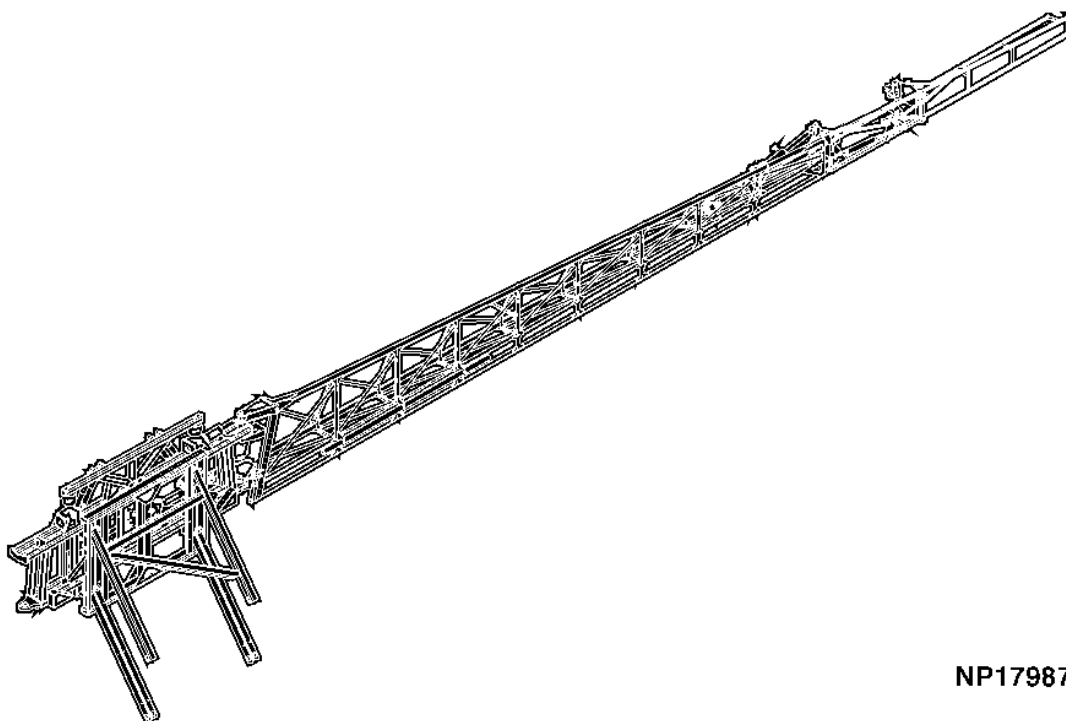
4730 SELF-PROPELLED SPRAYER

PRIMARY INDEX
INDEX PRINCIPAL DES ILLUSTRATIONS
INDICE PICTORICO PRINCIPAL

NP17987 -UN-

75

075- A01
075- A02
075- A03
075- A04
075- A05
075- A06
075- A07
075- A08



NP17987

10-A08

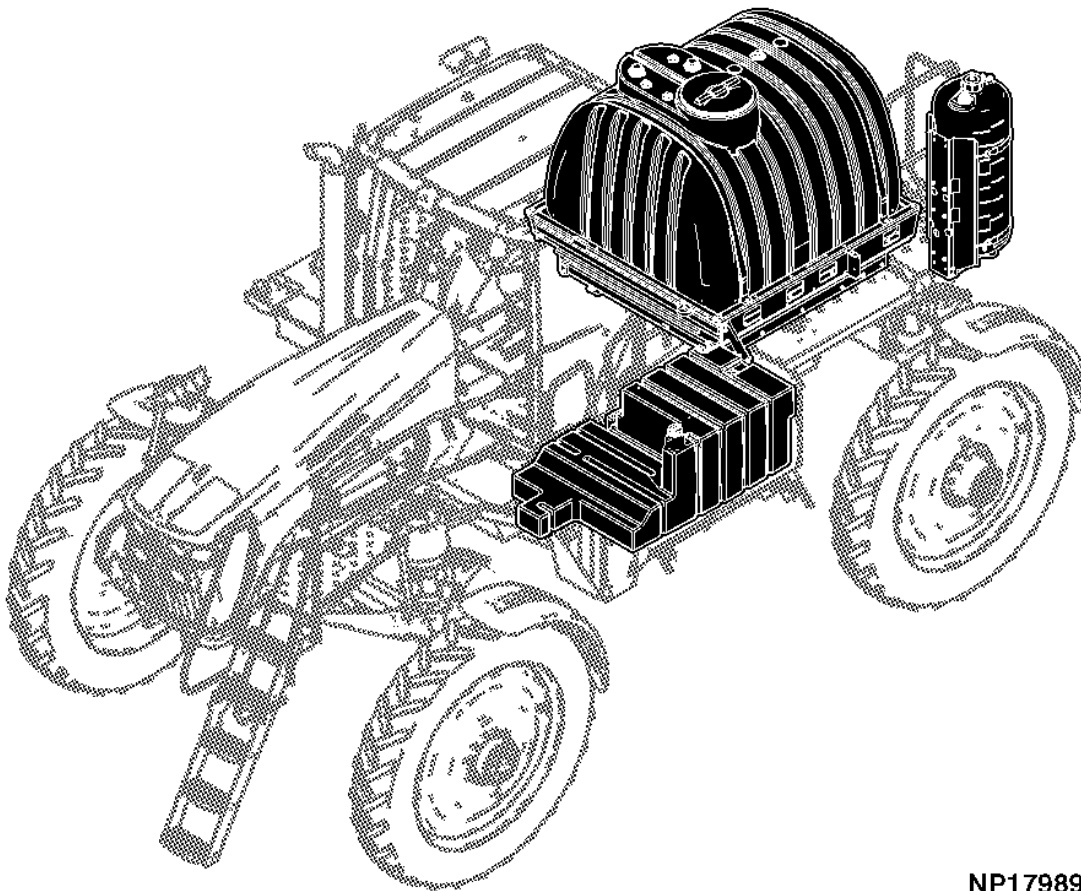
4730 SELF-PROPELLED SPRAYER

PRIMARY INDEX
INDEX PRINCIPAL DES ILLUSTRATIONS
INDICE PICTORICO PRINCIPAL

NP17989 -UN-

080- A01
080- A02
080- A03
080- A04

80



NP17989

10-A09

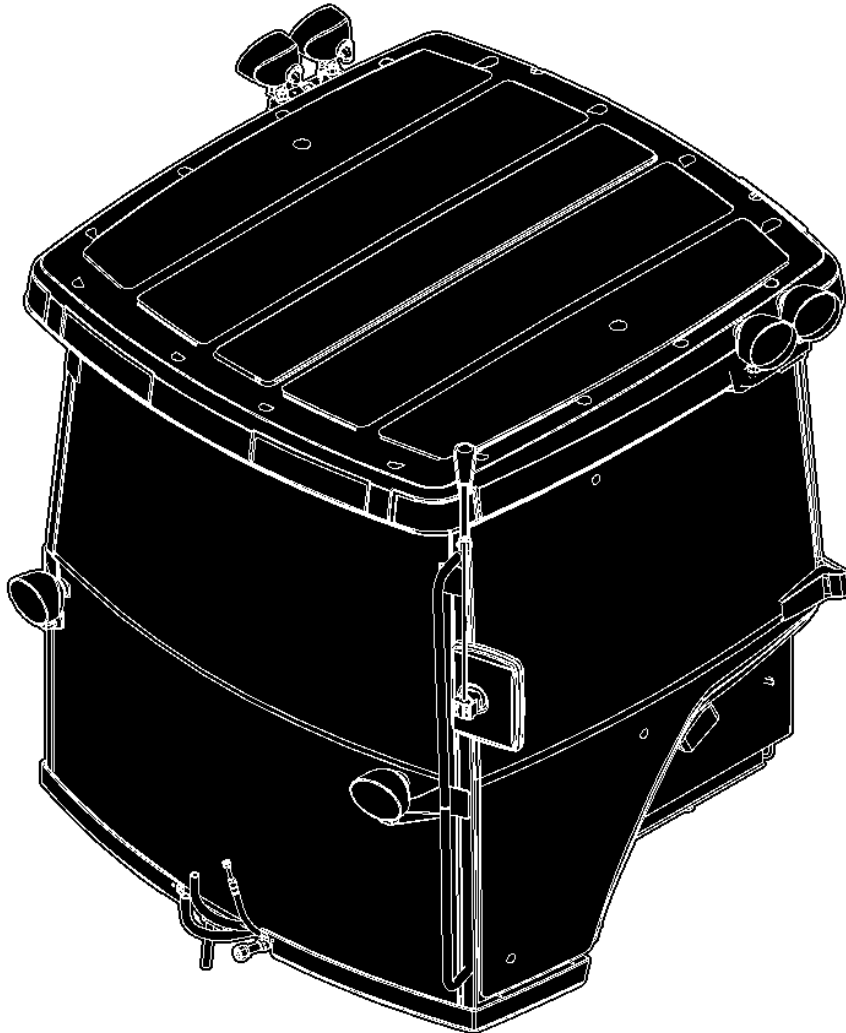
4730 SELF-PROPELLED SPRAYER

PRIMARY INDEX
INDEX PRINCIPAL DES ILLUSTRATIONS
INDICE PICTORICO PRINCIPAL

NP17990 -UN-

090- A01
090- A02
090- A03
090- A04
090- A05
090- A06

90



NP17990

10-A1A

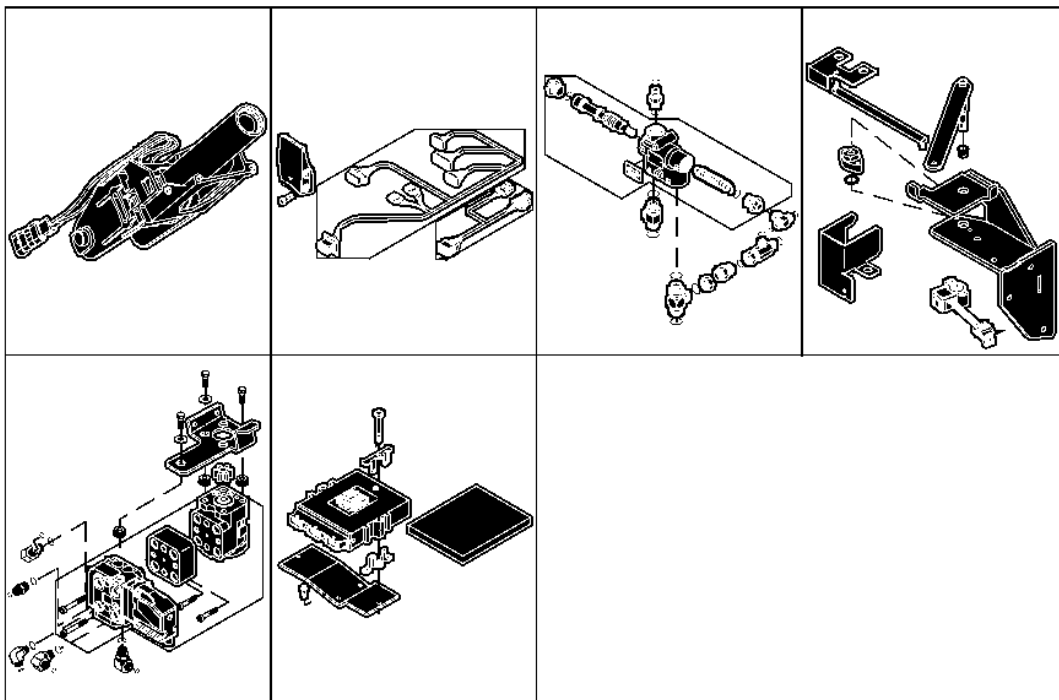
4730 SELF-PROPELLED SPRAYER

PRIMARY INDEX
INDEX PRINCIPAL DES ILLUSTRATIONS
INDICE PICTORICO PRINCIPAL

093- A01

NP17991 -UN-

93



NP17991

10-A1B

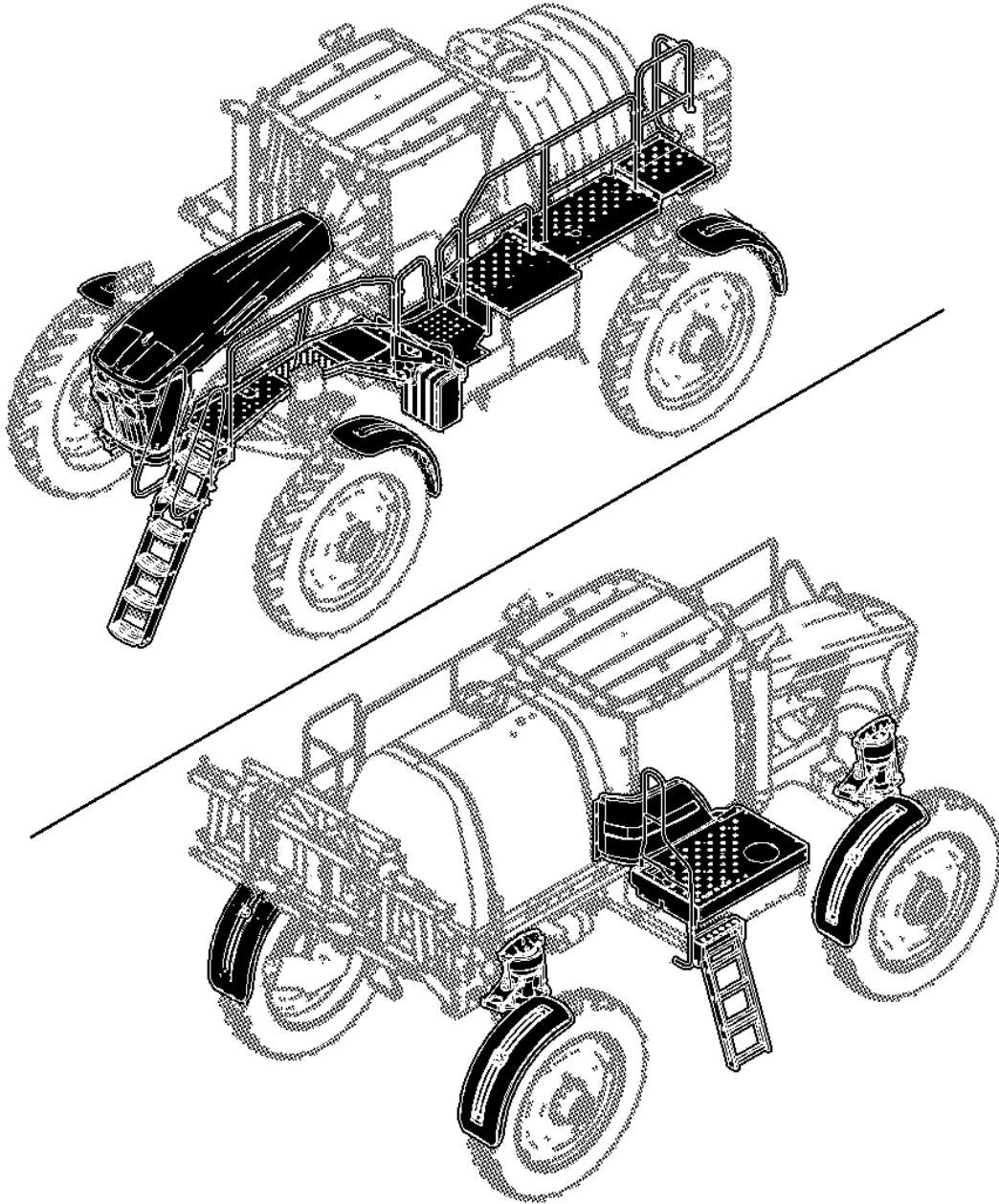
4730 SELF-PROPELLED SPRAYER

PRIMARY INDEX
INDEX PRINCIPAL DES ILLUSTRATIONS
INDICE PICTORICO PRINCIPAL

NP18283 -UN-

100-	A01
100-	A02
100-	A03

100



NP18283

10-A1C

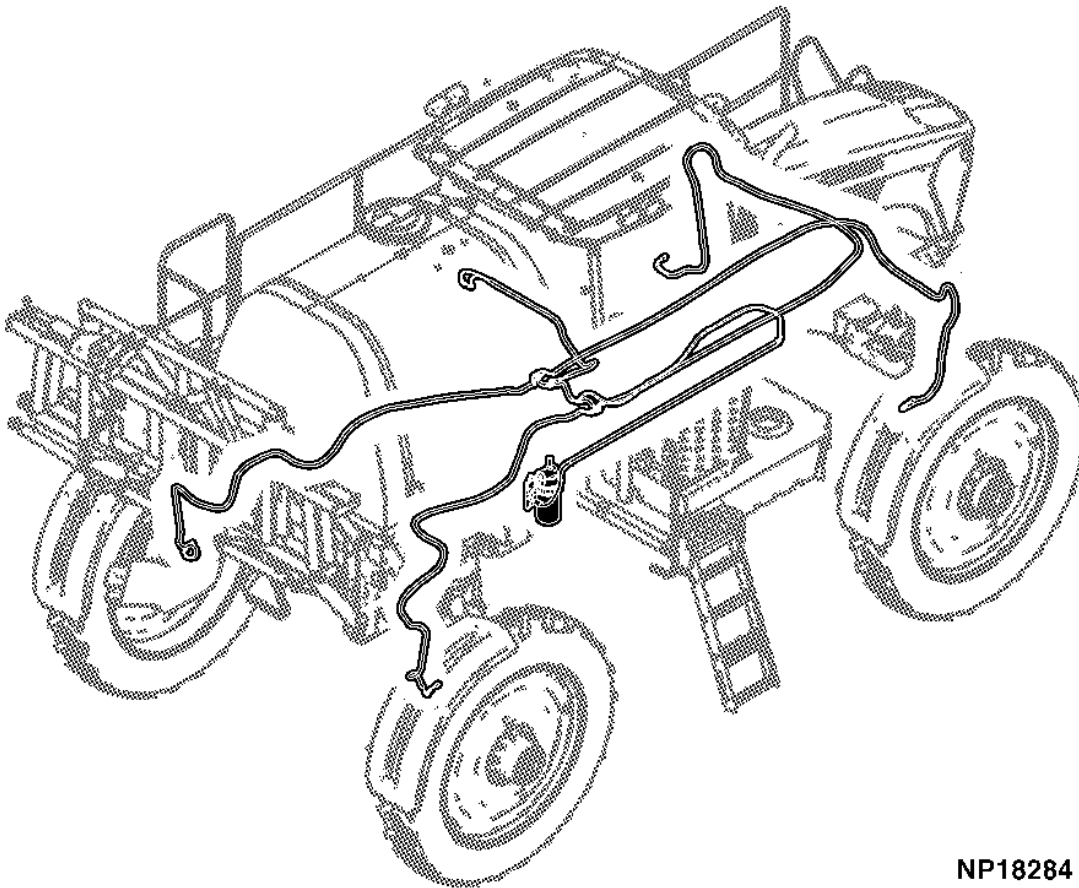
4730 SELF-PROPELLED SPRAYER

PRIMARY INDEX
INDEX PRINCIPAL DES ILLUSTRATIONS
INDICE PICTORICO PRINCIPAL

105- A01

NP18284 -UN-

105



NP18284

10-A1D

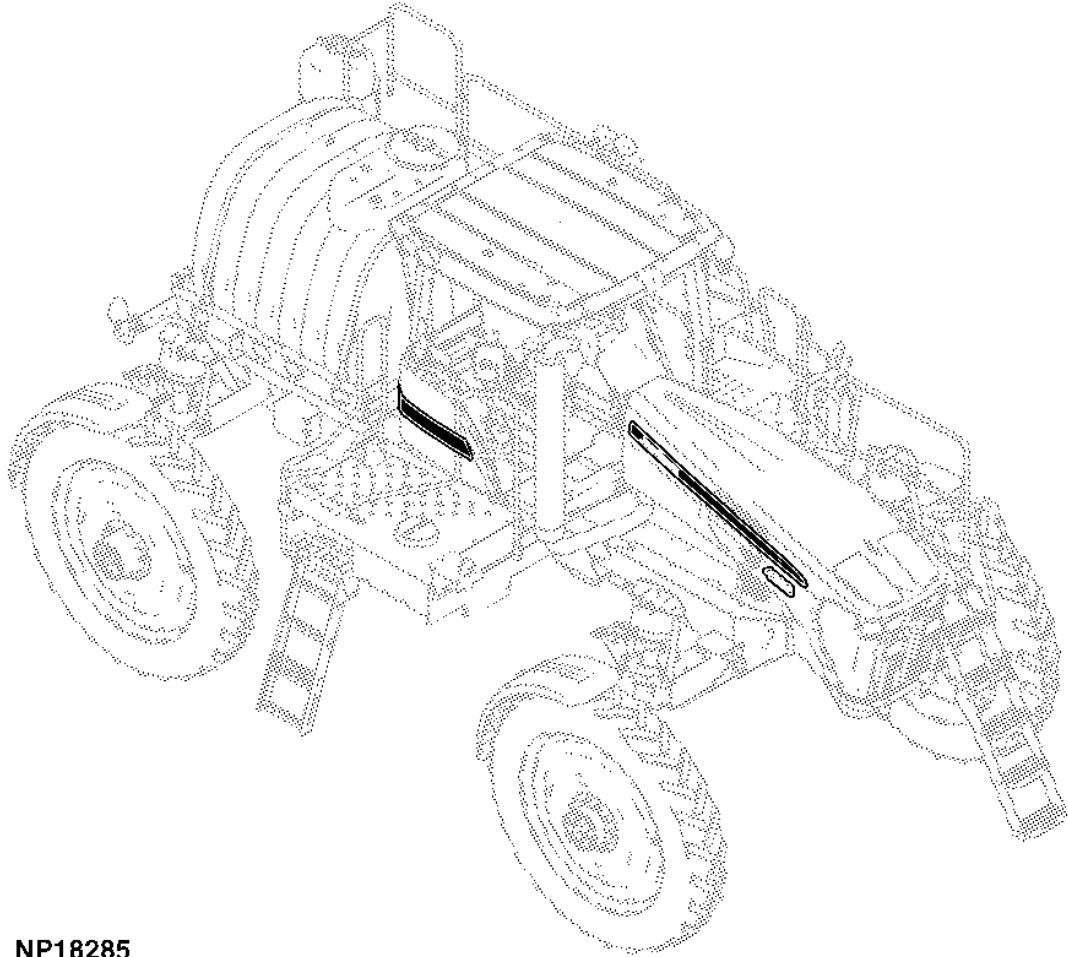
4730 SELF-PROPELLED SPRAYER

PRIMARY INDEX
INDEX PRINCIPAL DES ILLUSTRATIONS
INDICE PICTORICO PRINCIPAL

110- A01

NP18285 -UN-

110



NP18285

10-A1E

4730 SELF-PROPELLED SPRAYER

PRIMARY INDEX
INDEX PRINCIPAL DES ILLUSTRATIONS
INDICE PICTORICO PRINCIPAL

NP17903 -UN-15MAY08



*JOHN DEERE 4730 SELF-PROPELLED SPRAYER
(MANUFACTURED 2007-)*

(SPECIFICATIONS AND DESIGN ARE SUBJECT TO CHANGE WITHOUT NOTICE)

PRODUCT IDENTIFICATION NUMBER LISTING INFORMATION

THE SPRAYER PRODUCT IDENTIFICATION NUMBER PLATE IS LOCATED ON THE LEFT SIDE OF THE FRAME, BEHIND THE CAB SUPPORT.

THE ENGINE SERIAL NUMBER IS ON THE RIGHT SIDE OF THE ENGINE BLOCK.

THE CAB SERIAL NUMBER IS ON THE INSIDE LEFT REAR CORNER OF THE CAB.

PRODUCT IDENTIFICATION NUMBER (PIN) INFORMATION IS LISTED TO SHOW ON WHICH MACHINES EACH PART CAN BE USED; FOR EXAMPLE:

-	THE PART CAN BE USED ON ALL MACHINES.
000000-	THE PART CAN BE USED ON ALL MACHINES BEGINNING WITH THE PIN OR YEAR.
-000000	THE PART CAN BE USED ON ALL MACHINES UP TO AND INCLUDING THE PIN OR YEAR LISTED.
000000-000000	THE PART CAN BE USED ON ALL MACHINES BETWEEN AND INCLUDING THE PRODUCT IDENTIFICATION NUMBERS OR YEARS LISTED.

WHEN XXXXXX'S ARE LISTED IN PLACE OF A PRODUCT IDENTIFICATION NUMBER, A CHANGE WAS MADE BUT THE EXACT PIN WAS NOT AVAILABLE WHEN THE CATALOG WAS PRODUCED.

DIRECTION ARROW

ARROWS ARE USED WITH ILLUSTRATIONS TO INDICATE THE FRONT OF THE UNIT. "RIGHT-HAND" AND "LEFT-HAND" SIDES ARE DETERMINED BY FACING IN THE DIRECTION OF MACHINE FORWARD TRAVEL.

BOX-ENCLOSED ILLUSTRATIONS

A KEY NUMBER, SHOWN IN THE PARTS LIST, IS ASSIGNED TO A BOX ENCLOSING ALL PARTS SOLD AS A SERVICE ASSEMBLY.

BOLT AND CAP SCREW STRENGTH IDENTIFICATION

BOLTS AND CAP SCREWS REQUIRED TO HAVE HIGH-STRENGTH QUALITIES EQUIVALENT TO SAE GRADE 8 ARE IDENTIFIED THROUGHOUT THIS CATALOG BY THE DESCRIPTION HS SAE 8. ALL STANDARD BOLTS AND CAP SCREWS ARE SAE GRADE 5 OR LOWER.

COMPLETE GOODS LISTINGS

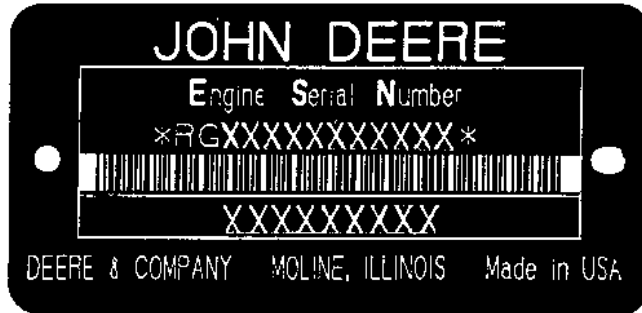
COMPLETE GOODS ARE LISTED IN BOLD FACE TYPE. ORDER SEPARATELY. DO NOT INCLUDE ON REPLACEMENT PARTS ORDER.

SI UNITS OF MEASURE

METRIC DIMENSIONS ARE GIVEN, WHERE APPLICABLE, THROUGHOUT THIS PARTS CATALOG. HOSE DIMENSIONS LISTED ARE EITHER FITTING SIZE X LENGTH X FITTING SIZE OR I.D. X LENGTH.

ENGINE SERIAL NUMBER PLATE

RGP3513 -UN-01JAN94



RGP3513

FIRST LINE

PE - JOHN DEERE TORREON ENGINE WORKS

6

068 (6.8 LITERS)

H (AIR-TO-AIR)

N - JOHN DEERE DES MOINES WORKS

XXXXXX

SECOND LINE

6068HN053

DEFINES

DESIGNATES ENGINE MANUFACTURER

DESIGNATES NUMBER OF CYLINDERS

DESIGNATES LITER DISPLACEMENT

DESIGNATES TYPE OF AIR INTAKE SYSTEM

DESIGNATES USER FACTORY

DESIGNATES ENGINE SERIAL NUMBER

APPLICATION

4730 SPRAYER